



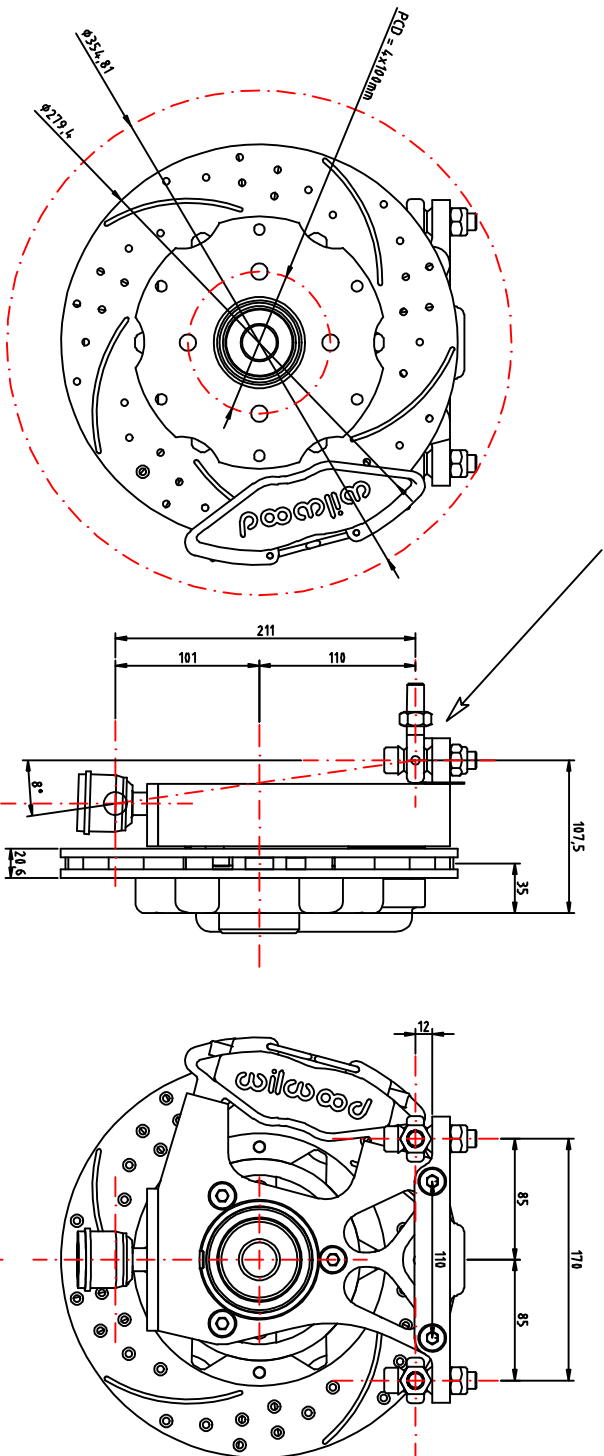
FIRST ANGLE PROJECTION

THIS DRAWING IS CONFIDENTIAL AND IS SUPPLIED ON THE EXPRESS CONDITION THAT IT SHALL NOT BE LOANED, COPIED OR DISCLOSED TO ANY OTHER PERSON NOR USED FOR ANY OTHER PURPOSE WITHOUT THE WRITTEN CONSENT OF LM-Lusomotors

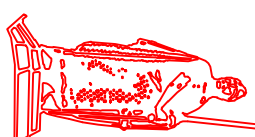
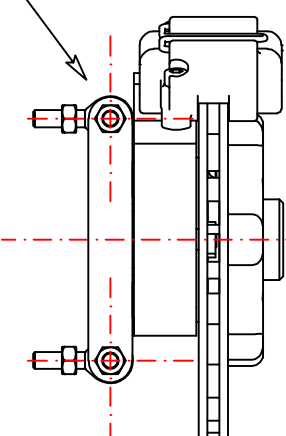
www.lusomotors.com  
 Lusomotors@lusomotors.com  
 Tel: 253 103 951/965 679 420

UNLESS SPECIFIED OTHERWISE:  
 1. ALL DIMENSIONS ARE IN MILLIMETERS  
 2. REMOVE ALL BURRS & SHARP EDGES

Several types of balljoints available



Steering arm can be replaced by other type of arm allowing to use this upright in a front or rear setup.



António Ernesto Miranda Freitas  
 RUA DA POUSADA DE DENTRO  
 ED. S. PEDRO, Nº 27 - 6º Dte  
 AZUREM  
 4800-056 GUIMARÃES  
 PORTUGAL

REV No.	DATE & No	REVISIONS	ZONE

SCALE	SHEET
DRAWN <b>Ernesto</b> DATE <b>19/02/2008</b>	
<b>Premium Upright</b>	
TITLE	

**Views**

**DRG No Ref#018-B**