

SE

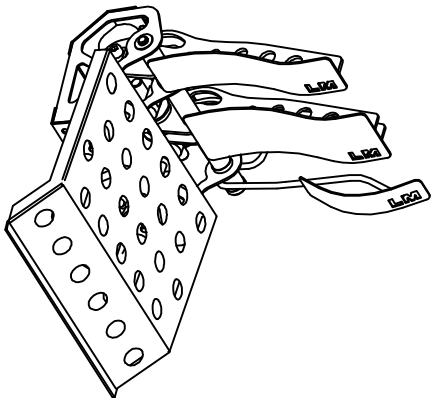
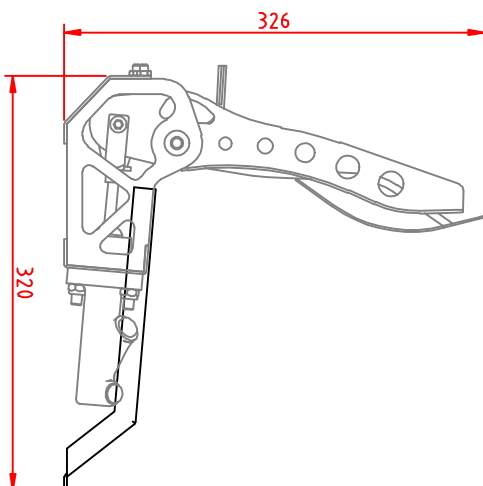
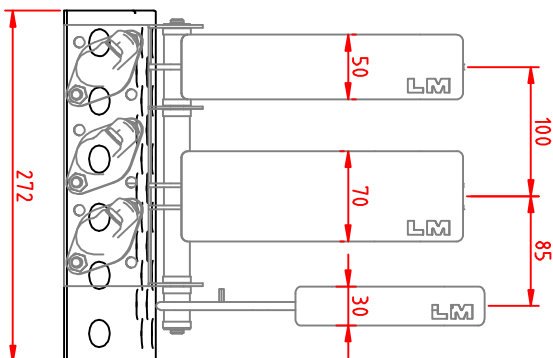


FIRST ANGLE PROJECTION

THIS DRAWING IS CONFIDENTIAL AND IS SUPPLIED ON THE EXPRESS CONDITION THAT IT SHALL NOT BE LOANED, COPIED OR DISCLOSED TO ANY OTHER PERSON NOR USED FOR ANY OTHER PURPOSE WITHOUT THE WRITTEN CONSENT OF LM-Lusomotors

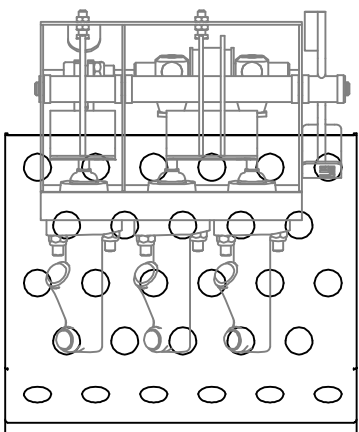
www.lusomotors.com
Lusomotors@lusomotors.com
Tel: 253 103 951/965 679 420

UNLESS SPECIFIED OTHERWISE:
1. ALL DIMENSIONS ARE IN MILLIMETERS
2. REMOVE ALL BURRS & SHARP EDGES



Ref. PB-0015

Aluminium Cover for parts Ref: PB-0011; PB-0012; PB-0013 and PB-0014



António Ernesto Miranda Freiras
RUA DA POUSADA DE DENTRO
ED. S. PEDRO, Nº 27 - 6ª Dfª
AZUREM
4800-056 GUIMARÃES
PORTUGAL

REV	DATE & No	REVISIONS	ZONE
No.			

SCALE	SHEET
DRAWN Ernesto	DATE 31/05/2009
Pedal Box	

TITLE Floor mount. rear facing
Aluminium cover

Main dimensions

DRG No PB-0015