



FIRST ANGLE PROJECTION

THIS DRAWING IS CONFIDENTIAL AND IS SUPPLIED ON THE EXPRESS CONDITION THAT IT SHALL NOT BE LOANED, COPIED OR DISCLOSED TO ANY OTHER PERSON NOR USED FOR ANY OTHER PURPOSE WITHOUT THE WRITTEN CONSENT OF LM-Lusomotors

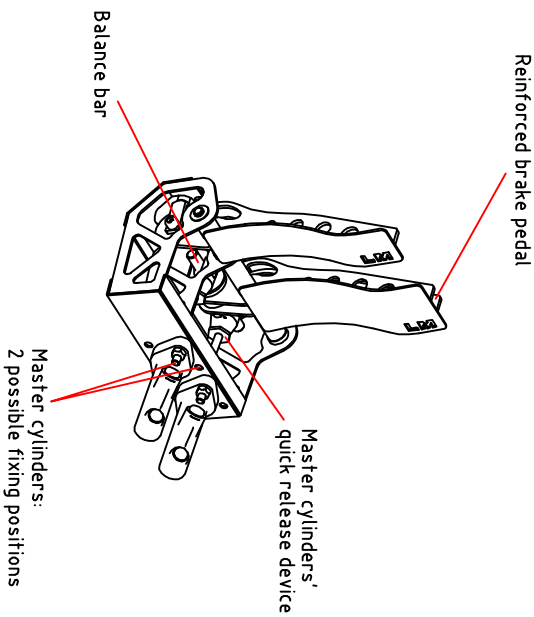
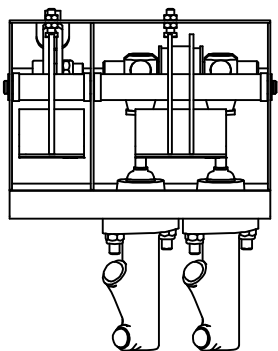
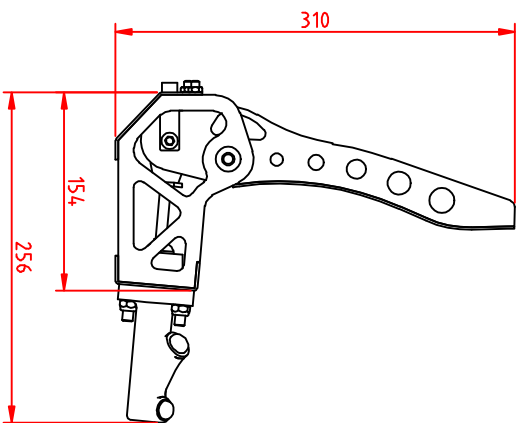
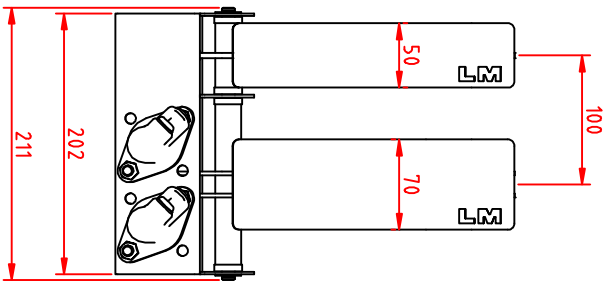
www.lusomotors.com
 Lusomotors@lusomotors.com
 Tel: 253 103 951/965 679 420

UNLESS SPECIFIED OTHERWISE:
 1. ALL DIMENSIONS ARE IN MILLIMETERS
 2. REMOVE ALL BURRS & SHARP EDGES



António Ernesto Miranda Freitas
 RUA DA POUSADA DE DENTRO
 ED. S. PEDRO, Nº 27 - 6ª DFE
 AZUREM
 4800-056 GUIMARÃES
 PORTUGAL

REV	DATE & No	REVISIONS	ZONE
No.			



Ref. PB-0014

Three pedal assembly Universal Fit
 5:1 Ratio
 Cable clutch

SCALE	SHEET
Ernesto	31/05/2009

Pedal Box

TITLE Floor mount, rear facing
 Universal type cable Clutch

Main dimensions

DRG No PB-0014