



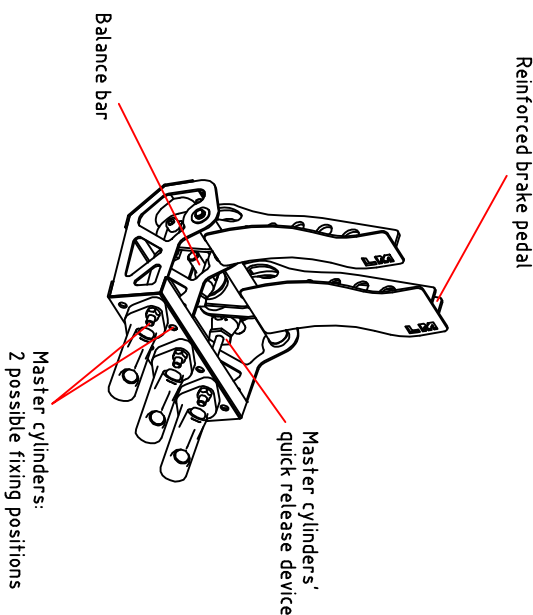
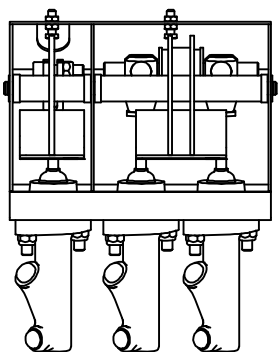
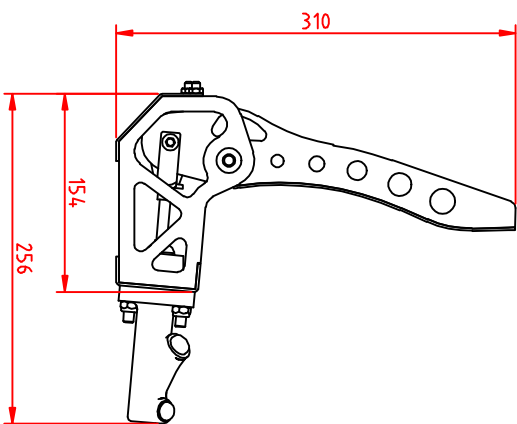
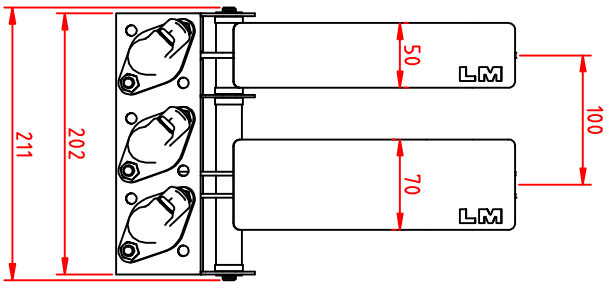
FIRST ANGLE PROJECTION

THIS DRAWING IS CONFIDENTIAL AND IS SUPPLIED ON THE EXPRESS CONDITION THAT IT SHALL NOT BE LOANED, COPIED OR DISCLOSED TO ANY OTHER PERSON NOR USED FOR ANY OTHER PURPOSE WITHOUT THE WRITTEN CONSENT OF LM-Lusomotors

www.lusomotors.com
 Lusomotors@lusomotors.com
 Tel: 253 103 951/965 679 420

UNLESS SPECIFIED OTHERWISE:

1. ALL DIMENSIONS ARE IN MILLIMETERS
2. REMOVE ALL BURRS & SHARP EDGES



Ref. PB-0013

Two pedal assembly Universal Fit

5:1 Ratio

Hdraulic clutch

Can also be used in the following cars:

- Subaru Impreza
- Mitsubishi EVO
- Nissan Skyline
- Nissan 200SX
- Toyota Supra



António Ernesto Miranda Freitas
 RUA DA POUSADA DE DENTRO
 ED. S. PEDRO, Nº 27 - 6º DºE
 AZUREM
 4880-056 GUIMARÃES
 PORTUGAL

REV	DATE & No	REVISIONS	ZONE

SCALE	SHEET

DRAWN **Ernesto** DATE **31/05/2009**
Pedal Box

TITLE **Floor mount. rear facing**
Universal type cable Clutch

Main dimensions

DRG No PB-0013