



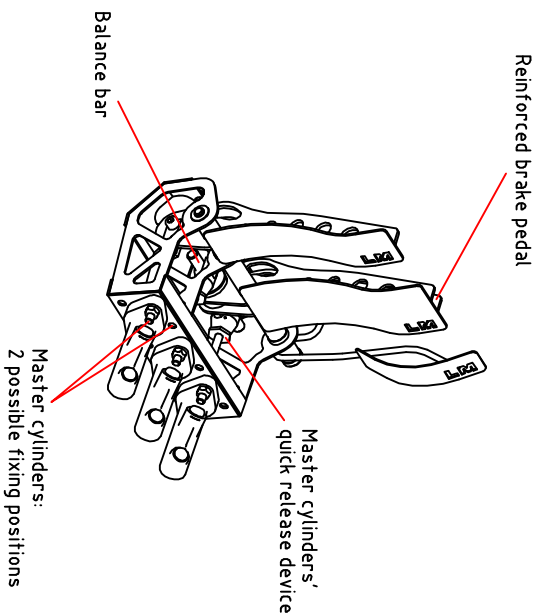
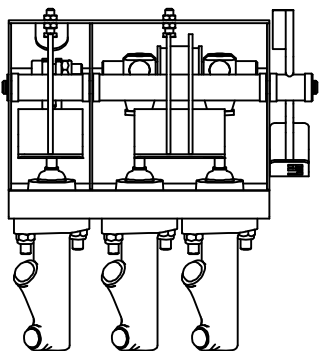
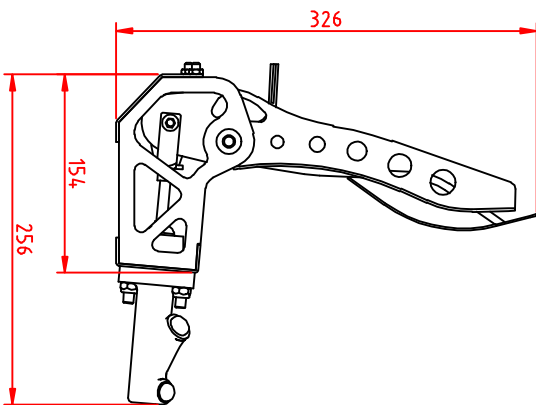
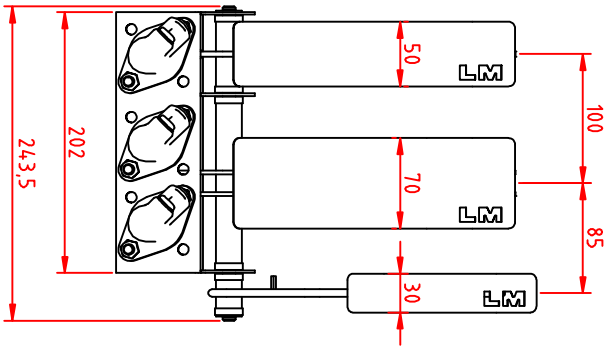
FIRST ANGLE PROJECTION

THIS DRAWING IS CONFIDENTIAL AND IS SUPPLIED ON THE EXPRESS CONDITION THAT IT SHALL NOT BE LOANED, COPIED OR DISCLOSED TO ANY OTHER PERSON NOR USED FOR ANY OTHER PURPOSE WITHOUT THE WRITTEN CONSENT OF LM-Lusomotors

www.lusomotors.com  
 Lusomotors@lusomotors.com  
 Tel: 253 103 951/965 679 420

UNLESS SPECIFIED OTHERWISE:

1. ALL DIMENSIONS ARE IN MILLIMETERS
2. REMOVE ALL BURRS & SHARP EDGES



Ref. PB-0011

Three pedal assembly Universal Fit  
 5:1 Ratio  
 Hydraulic clutch

Can also be used in the following cars:

- Subaru Impreza
- Mitsubishi EVO
- Nissan Skyline
- Nissan 200SX
- Toyota Supra



António Ernesto Miranda Freitas  
 RUA DA POUSADA DE DENTRO  
 ED. S. PEDRO, Nº 27 - 6º DºE  
 AZUREM  
 4800-056 GUIMARÃES  
 PORTUGAL

REV	DATE & No	REVISIONS	ZONE
No.			

SCALE	SHEET
DRAWN Ernesto	DATE 31/05/2009
<b>Pedal Box</b>	

TITLE Floor mount. rear facing  
 Universal type Hid. Clutch  
 Main dimensions

DRG No PB-0011