

SE

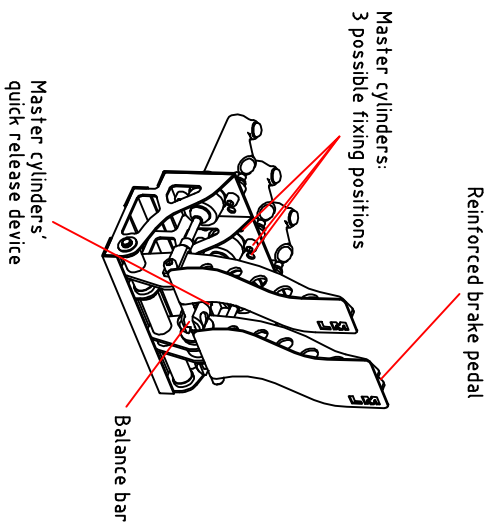
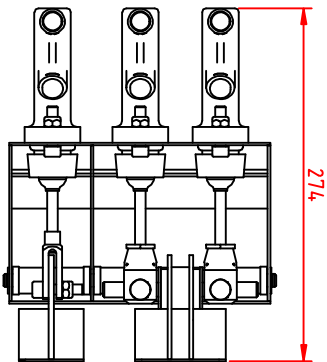
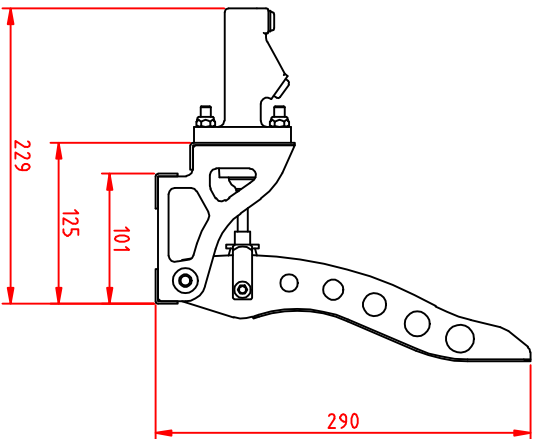
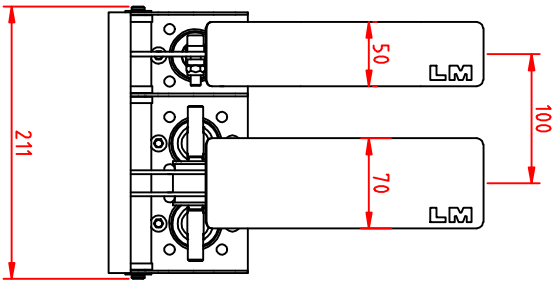


FIRST ANGLE PROJECTION

THIS DRAWING IS CONFIDENTIAL AND IS SUPPLIED ON THE EXPRESS CONDITION THAT IT SHALL NOT BE LOANED, COPIED OR DISCLOSED TO ANY OTHER PERSON NOR USED FOR ANY OTHER PURPOSE WITHOUT THE WRITTEN CONSENT OF LM-Lusomotors

www.lusomotors.com
Lusomotors@lusomotors.com
Tel: 253 103 951/965 679 420

UNLESS SPECIFIED OTHERWISE:
1. ALL DIMENSIONS ARE IN MILLIMETERS
2. REMOVE ALL BURRS & SHARP EDGES



Ref. PB-0010

Two pedal assembly universal fit
6:1 Ratio
Hydraulic clutch



António Ernesto Miranda Freiras
RUA DA POUSADA DE DENTRO
ED. S. PEDRO, Nº 27 - 6º DºE
AZUREM
4880-056 GUIMARÃES
PORTUGAL

REV	DATE & No	REVISIONS	ZONE
No.			

SCALE	SHEET
Ernesto	
DATE 31/05/2009	
Pedal Box	

TITLE Floor mount, front facing
Universal type Hid. Clutch
Main dimensions

DRG No PB-0010