



FIRST ANGLE PROJECTION

THIS DRAWING IS CONFIDENTIAL AND IS SUPPLIED ON THE EXPRESS CONDITION THAT IT SHALL NOT BE LOANED, COPIED OR DISCLOSED TO ANY OTHER PERSON NOR USED FOR ANY OTHER PURPOSE WITHOUT THE WRITTEN CONSENT OF LM-Lusomotors

www.lusomotors.com
 Lusomotors@lusomotors.com
 Tel: 253 103 951/965 679 420

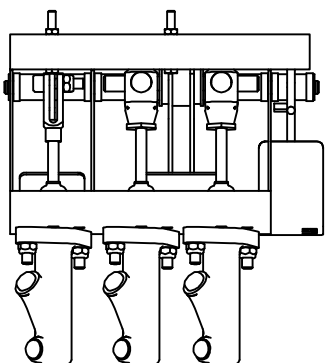
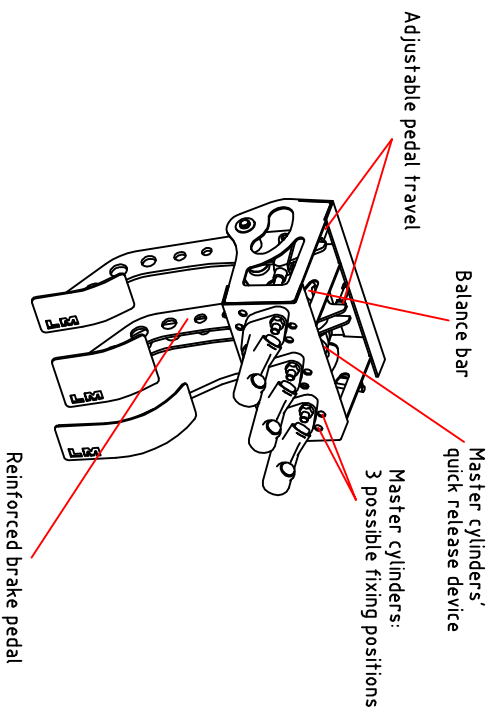
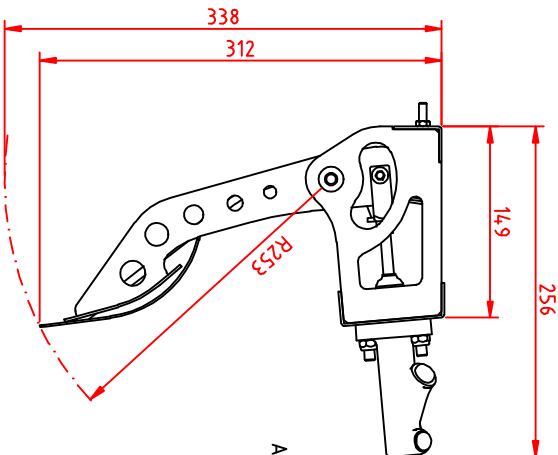
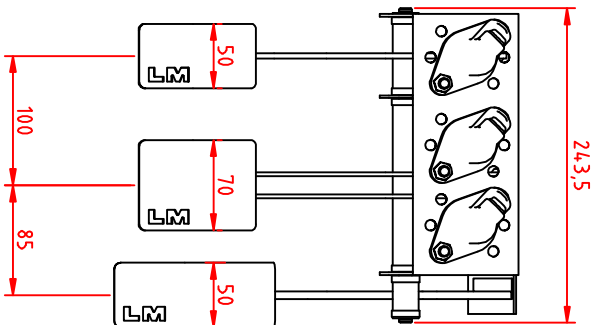
UNLESS SPECIFIED OTHERWISE:

1. ALL DIMENSIONS ARE IN MILLIMETERS
2. REMOVE ALL BURRS & SHARP EDGES



António Ernesto Miranda Freiras
 RUA DA POUSADA DE DENTRO
 ED. S. PEDRO, Nº 27 - 6ª Dfª
 AZUREM
 4800-056 GUIMARÃES
 PORTUGAL

REV	DATE & No	REVISIONS	ZONE
No.			



Ref. PB-0008

Three pedal assembly Universal Fit
 5:1 Ratio
 Hydraulic clutch

SCALE	SHEET
Ernesto	
DATE 31/05/2009	
Pedal Box	

TITLE **Top Mount. Underslung**
 Universal type Hydraulic clutch
Main dimensions

DRG No **PB-0008**