

# SE



FIRST ANGLE PROJECTION

THIS DRAWING IS CONFIDENTIAL AND IS SUPPLIED ON THE EXPRESS CONDITION THAT IT SHALL NOT BE LOANED, COPIED OR DISCLOSED TO ANY OTHER PERSON NOR USED FOR ANY OTHER PURPOSE WITHOUT THE WRITTEN CONSENT OF LM-Lusomotors

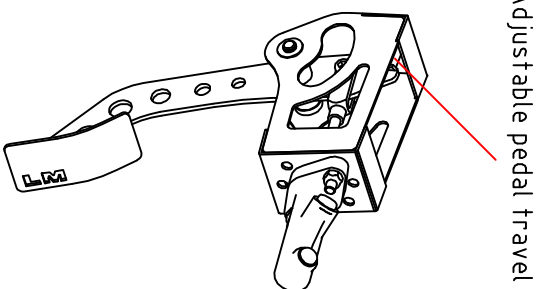
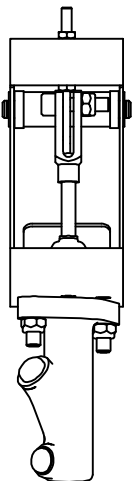
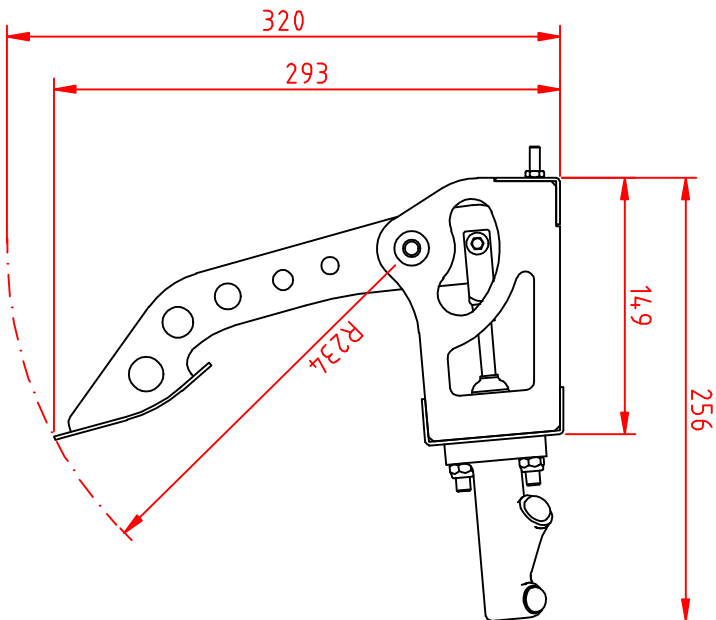
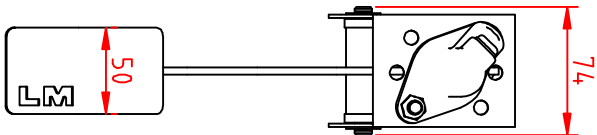
www.lusomotors.com  
lusomotors@lusomotors.com  
Tel: 253 103 951/965 679 420

UNLESS SPECIFIED OTHERWISE:  
1. ALL DIMENSIONS ARE IN MILLIMETERS  
2. REMOVE ALL BURRS & SHARP EDGES



António Ernesto Miranda Freiras  
RUA DA POUSADA DE DENTRO  
ED. S. PEDRO, Nº 27 - 6ª DTE  
AZUREM  
4880-056 GUIMARÃES  
PORTUGAL

REV	DATE & No	REVISIONS	ZONE
No.			



Ref. PB-0007

Single pedal Hydraulic clutch assembly - Universal fit  
5:1 Ratio

**Pedal Box**

SCALE SHEET  
DRAWN **Ernesto** DATE **31/05/2009**

TITLE **Top Mount. Underslung**  
**Universal type hydraulic clutch**  
**Main dimensions**

DRG No **PB-0007**