

# SE



FIRST ANGLE PROJECTION

THIS DRAWING IS CONFIDENTIAL AND IS SUPPLIED ON THE EXPRESS CONDITION THAT IT SHALL NOT BE LOANED, COPIED OR DISCLOSED TO ANY OTHER PERSON NOR USED FOR ANY OTHER PURPOSE WITHOUT THE WRITTEN CONSENT OF LM-Lusomotors

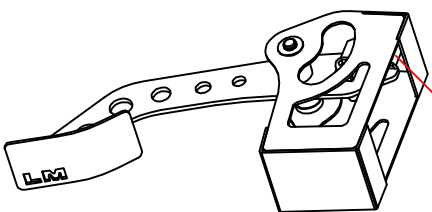
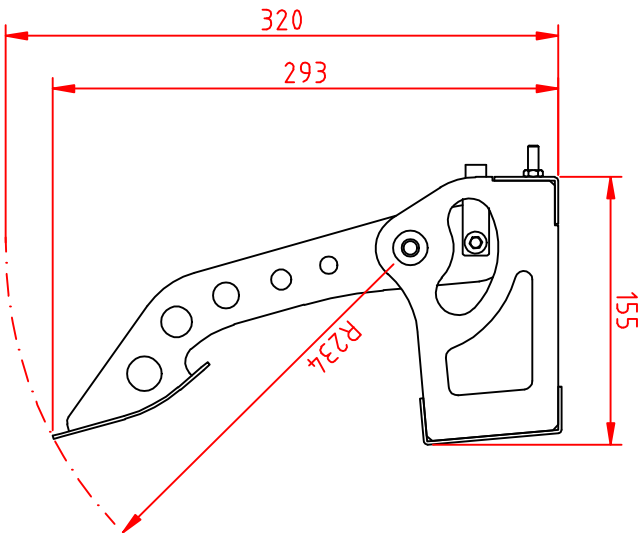
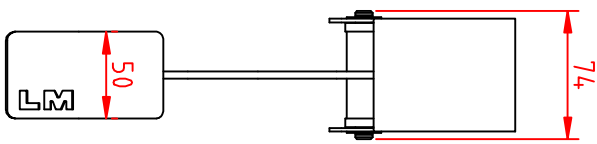
www.lusomotors.com  
Lusomotors@lusomotors.com  
Tel: 253 103 951/965 679 420

UNLESS SPECIFIED OTHERWISE:  
1. ALL DIMENSIONS ARE IN MILLIMETERS  
2. REMOVE ALL BURRS & SHARP EDGES

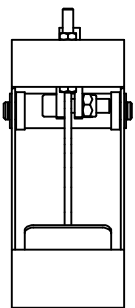


António Ernesto Miranda Freiras  
RUA DA POUSADA DE DENTRO  
ED. S. PEDRO, Nº 27 - 6º DºE  
AZUREM  
4880-056 GUIMARÃES  
PORTUGAL

REV	DATE & No	REVISIONS	ZONE
No.			



Adjustable pedal travel



Ref. PB-0006

Single pedal cable clutch assembly - Universal fit  
5:1 Ratio

**Pedal Box**

TITLE **Top Mount. Underslung**  
**Universal type cable clutch**

**Main dimensions**

**DRG No PB-0006**

SCALE	SHEET
Ernesto	DATE 31/05/2009