

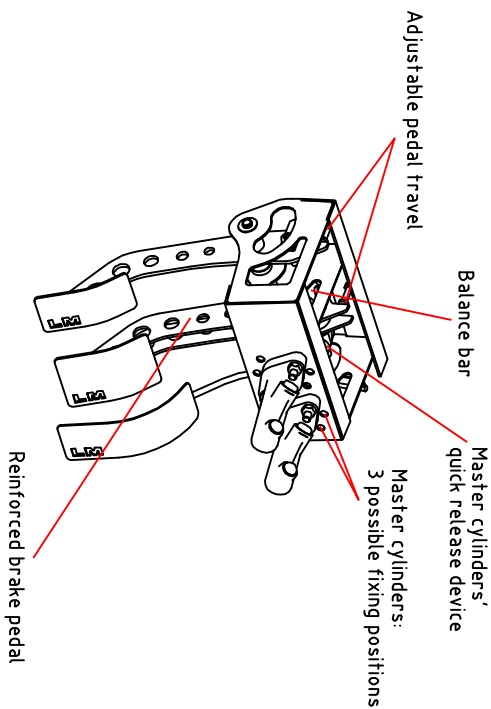
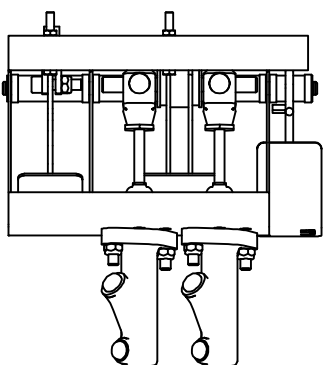
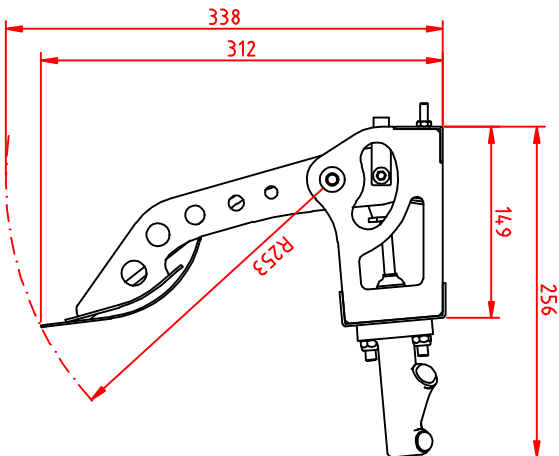
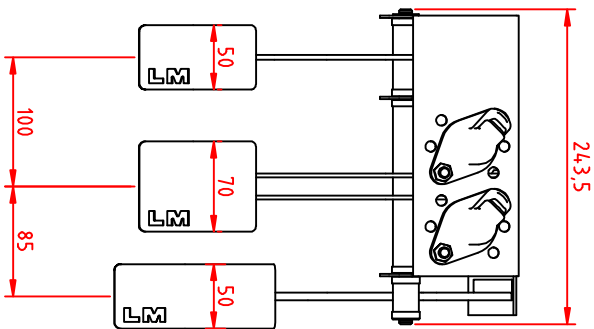


FIRST ANGLE PROJECTION

THIS DRAWING IS CONFIDENTIAL AND IS SUPPLIED ON THE EXPRESS CONDITION THAT IT SHALL NOT BE LOANED, COPIED OR DISCLOSED TO ANY OTHER PERSON NOR USED FOR ANY OTHER PURPOSE WITHOUT THE WRITTEN CONSENT OF LM-Lusomotors

www.lusomotors.com
 Lusomotors@lusomotors.com
 Tel: 253 103 951/965 679 420

UNLESS SPECIFIED OTHERWISE:
 1. ALL DIMENSIONS ARE IN MILLIMETERS
 2. REMOVE ALL BURRS & SHARP EDGES



António Ernesto Miranda Freiras
 RUA DA POUSADA DE DENTRO
 ED. S. PEDRO, Nº 27 - 6ª DTE
 AZUREM
 4800-056 GUIMARÃES
 PORTUGAL

REV	DATE & No	REVISIONS	ZONE
No.			

SCALE	SHEET
DRAWN Ernesto	DATE 31/05/2009
Pedal Box	

Ref. PB-0004
 Three pedal Assembly Universal Fit
 5:1 Ratio
 Cable clutch

TITLE **Top Mount. Underslung**
Universal type Cable Clutch
Main dimensions
DRG No PB-0004