



FIRST ANGLE PROJECTION

THIS DRAWING IS CONFIDENTIAL AND IS SUPPLIED ON THE EXPRESS CONDITION THAT IT SHALL NOT BE LOANED, COPIED OR DISCLOSED TO ANY OTHER PERSON NOR USED FOR ANY OTHER PURPOSE WITHOUT THE WRITTEN CONSENT OF LM-Lusomotors

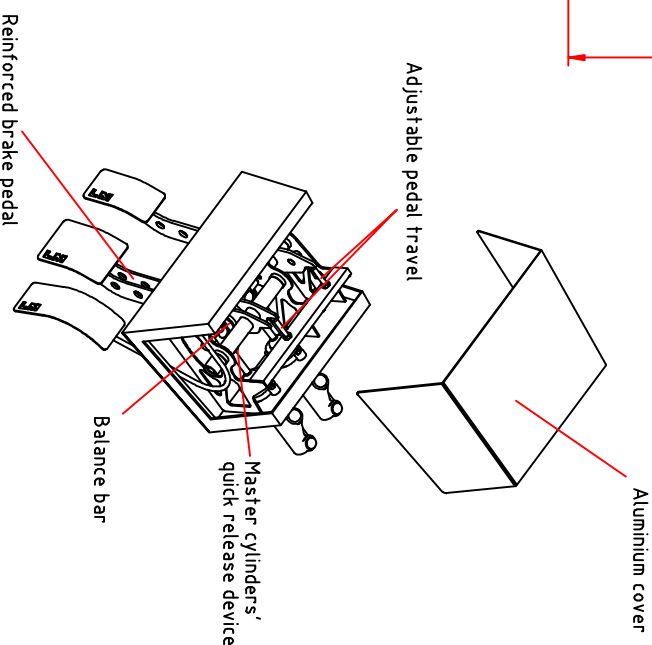
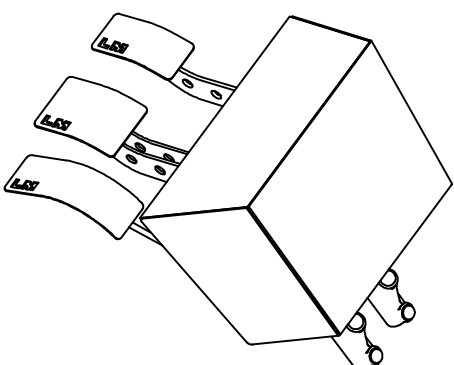
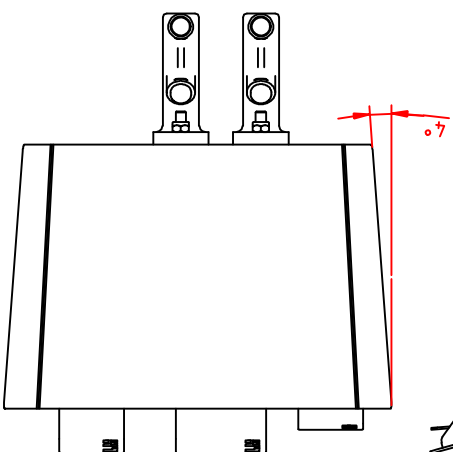
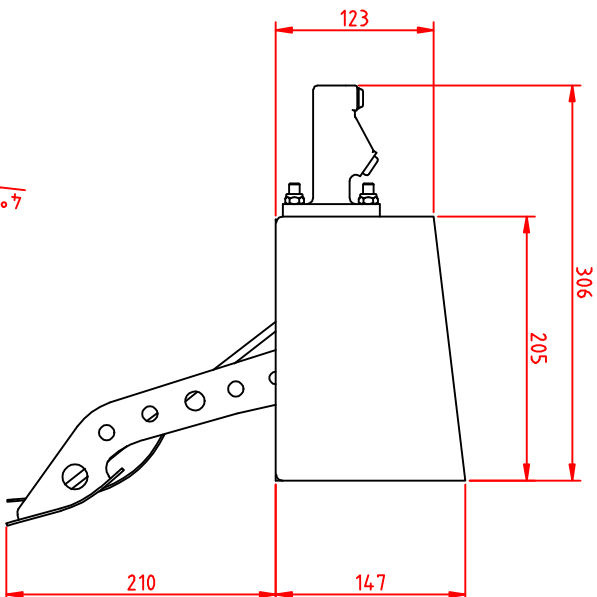
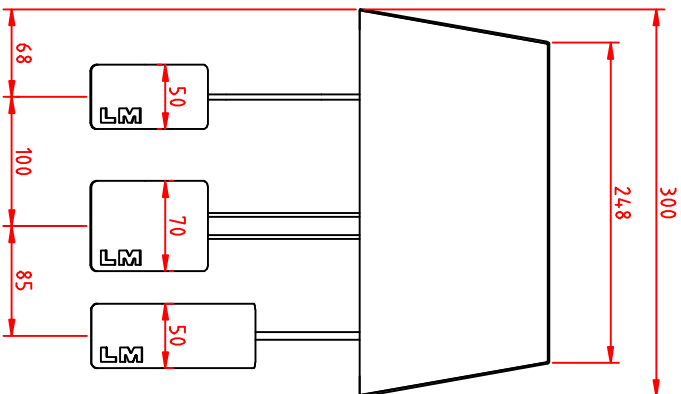
UNLESS SPECIFIED OTHERWISE:
 1. ALL DIMENSIONS ARE IN MILLIMETERS
 2. REMOVE ALL BURRS & SHARP EDGES

www.lusomotors.com
 Lusomotors@lusomotors.com
 Tel: 253 103 951/965 679 420



António Ernesto Miranda Freiras
 RUA DA POUSADA DE DENTRO
 ED. S. PEDRO, Nº 27 - 6ª Dje
 AZUREM
 4880-056 GUIMARÃES
 PORTUGAL

REV	DATE & No	REVISIONS	ZONE
No.			



Ref. PB-0002

Specially designed to fit "Sevensesque" cars
 6.25:1 Ratio
 Cable clutch

SCALE	SHEET
Ernesto	DATE 31/05/2009

Pedal Box

TITLE **Top Mount, front facing
 Sevensesque type Cab. Clutch**

Main dimenions

DRG No **PB-0002**