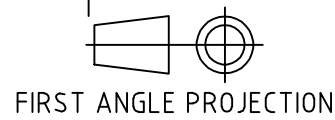
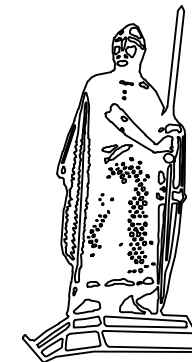


SE



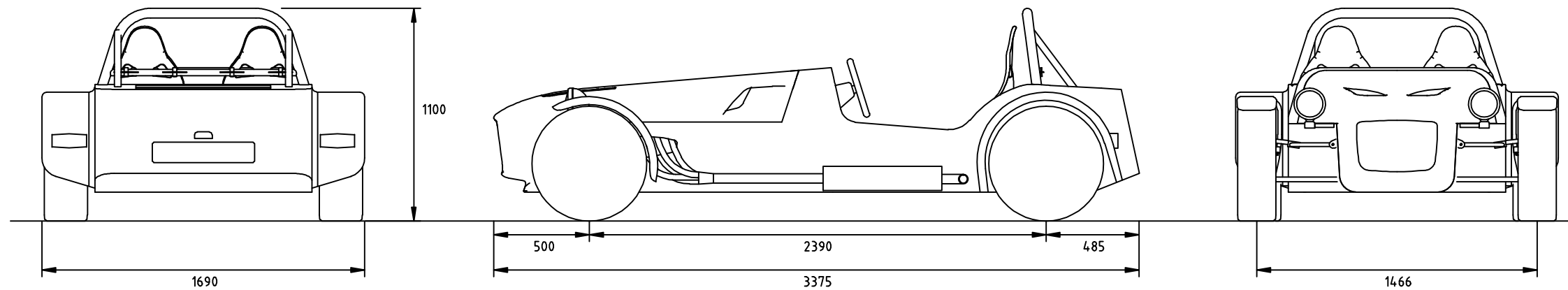
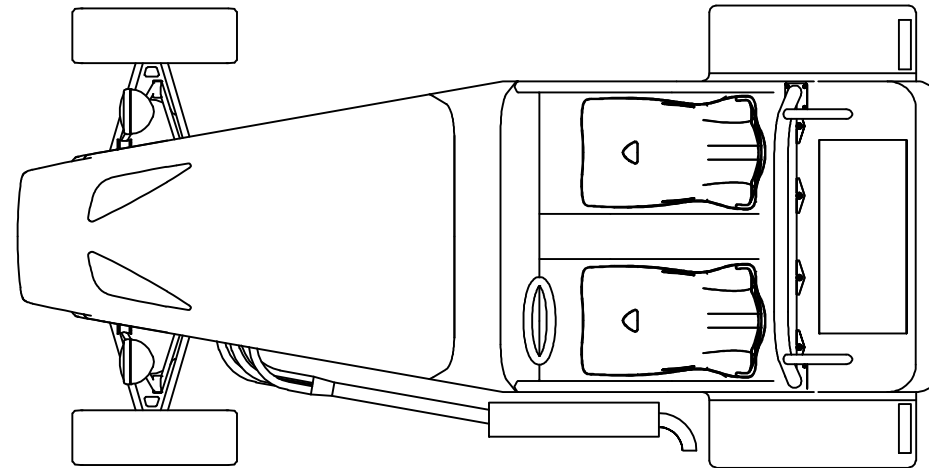
THIS DRAWING IS CONFIDENTIAL AND IS SUPPLIED ON THE EXPRESS CONDITION THAT IT SHALL NOT BE LOANED, COPIED OR DISCLOSED TO ANY OTHER PERSON NOR USED FOR ANY OTHER PURPOSE WITHOUT THE WRITTEN CONSENT OF LM-Lusomotors

www.lusomotors.com  
Lusomotors@lusomotors.com  
Tel: 00351 960 257 155



António Ernesto Miranda Freitas  
Rua da Escola, 180  
Ataés  
4800-238 GUIMARÃES  
PORTUGAL

UNLESS SPECIFIED OTHERWISE:  
1. ALL DIMENSIONS ARE IN MILLIMETERS  
2. REMOVE ALL BURRS & SHARP EDGES



| REV No. | REVISIONS |  | ZONE |
|---------|-----------|--|------|
|         | DATE & No |  |      |
|         |           |  |      |
|         |           |  |      |
|         |           |  |      |
|         |           |  |      |
|         |           |  |      |
|         |           |  |      |

SCALE SHEET  
DRAWN Ernesto DATE 01/10/2010

**Exterior Layout**

TITLE LM Sev-N Road Models  
**Main Dimensions**

**DRG Nº EXL-02-10**